

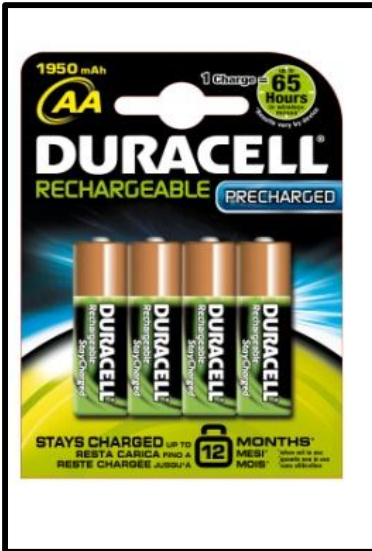


DX1500

Size: AA 1950 mAh (HR6)
Rechargeable NiMH Battery

NiMH

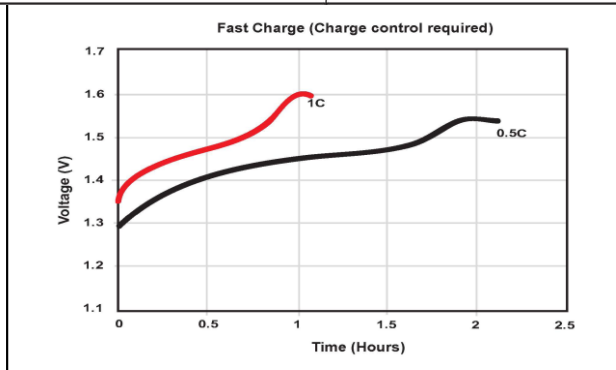
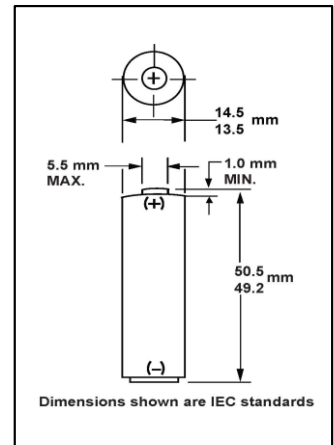
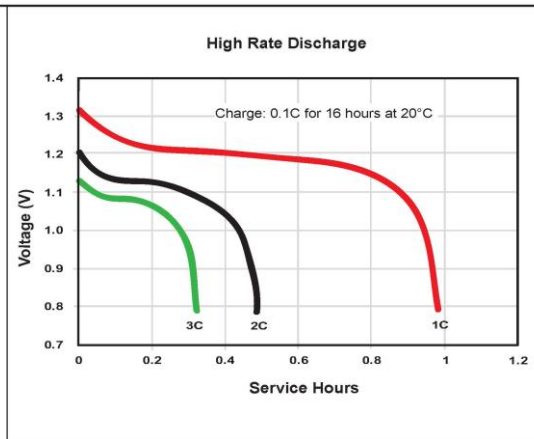
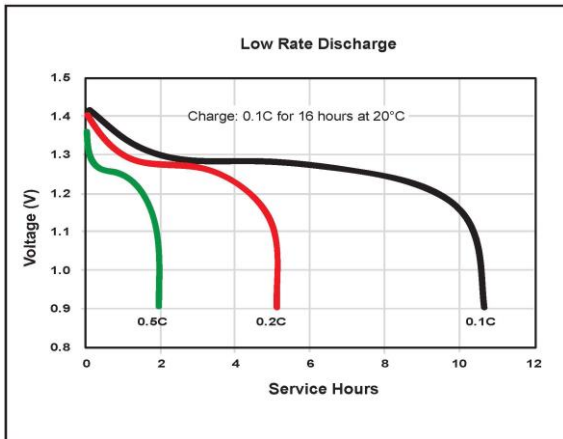
Technical Specifications



Classification:	Cylindrical Rechargeable
Chemical system	Nickel Metal Hydride (Ni-MH)
Designation:	IEC – HR6
Nominal Voltage:	1.2V
Operating Voltage:	1.0V-1.35V
Operating temp:	-10°C to 50°C
Storage Temp:	5°C – 30°C
Typical weight:	28g
Typical Volume:	8.3 cubic centimeters
Typical Impedance:	20 milliohm @ 1 khz
Rated Capacity:	1950 mAh
Safety Features:	Pressure released resettable vent

BENEFITS

- Stays charged for up to 12 months.*
- Pre-charged, ready to use out of the package.
- 1 charge up to 65 hours in wireless mouse
- 1 charge up to 19 hours in gaming controller
- 1 charge up to 375 pictures



DURACELL®
BATTERIES

Berkshire Corporate Park
Bethel, CT 06801 U.S.A.
Tel: Toll free 1.800.544.5454
Web: www.Duracell.com

*When not in use.

Information and contents in this data sheet are for reference purposes only. They do not constitute any warranty and representation is subject to change without notice. For most current information and further details, please contact Duracell.